

# ENVISION AIR HANDLER

MODEL NAH

## FEATURES

Slide out blower assembly

Field switchable, four position design (Horizontal Left/Right, Vertical & Bottomflow)

Narrow design for attic access

Width - 21" [53.3 cm]

Height - 57.3" [145.5 cm]

Depth - 26.1" [66.3 cm]

Factory installed TXV

1" Filter Rack

Factory installed Internal Electric Heat with circuit breakers.

Variable speed ECM fan motor

DX or Hydronic "A" Coil

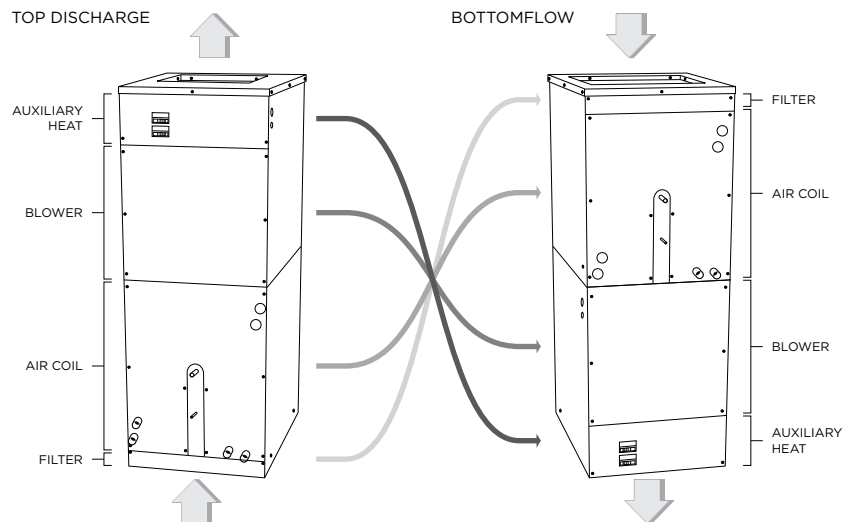
Corrosion proof stainless steel drain pan



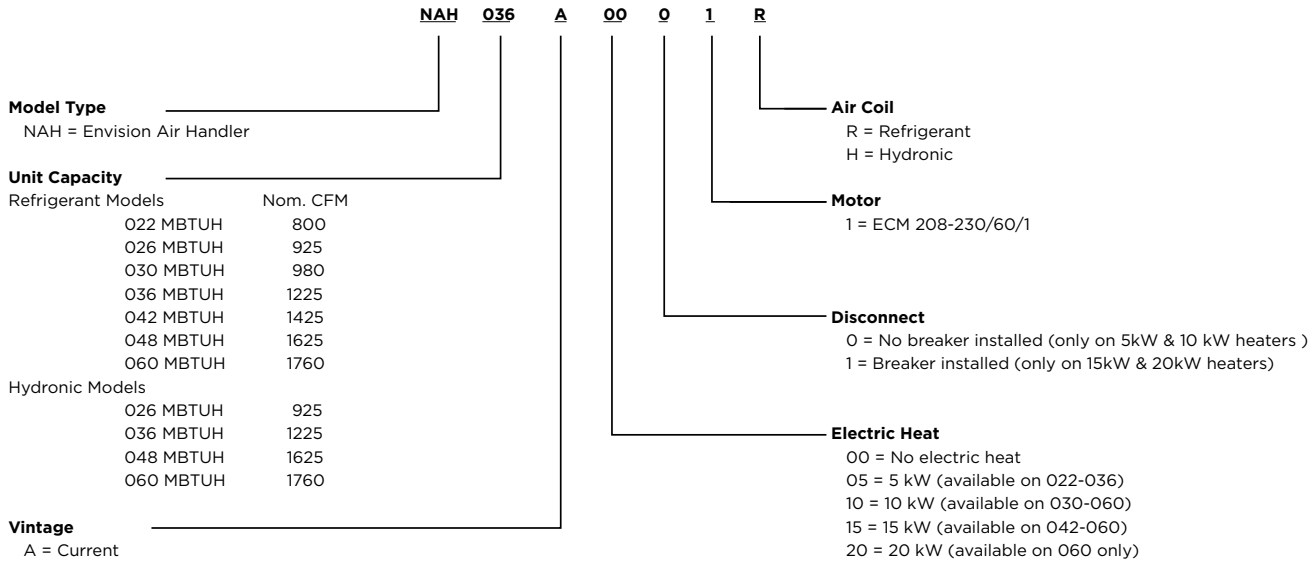
## HYDRONIC COIL OPTION



## EASE OF CONVERSION



# NOMENCLATURE



Note: Kit NAHBC must be ordered to field convert the NAH042-060 to bottomflow air discharge

# COMPATIBILITY

Air Handler	Split Model (Single)	Split Model (Dual Capacity)	Airflow (CFM)	Electric Heat (kW)
NAH022A***1R	NSZ022	-	800	5
NAH026A***1R	-	NDZ026	925	5
NAH030A***1R	NSZ030	-	980	5, 10
NAH036A***1R	NSZ036	-	1225	5, 10
NAH036A***1R	-	NDZ038	1225	5, 10
NAH042A***1R	NSZ042	-	1425	10, 15
NAH048A***1R	NSZ048	-	1625	10, 15
NAH048A***1R	-	NDZ049	1625	10, 15
NAH060A***1R	NSZ060	-	1760	10, 15, 20
NAH060A***1R	-	NDZ064	1760	10, 15, 20
NAH060A***1R	NSZ070	-	1760	10, 15, 20
NAH060A***1R	-	NDZ072	1760	10, 15, 20

# ELECTRICAL DATA

Model	Electric Heat Capacity		Supply Circuit	Aux. Heat Minimum (CFM)	Rated Voltage	Voltage Min/Max	Fan Motor FLA	Heater Ampacity		Total Unit FLA		Minimum Circuit Ampacity		Maximum Fuse/HACR			
	KW	BTUH						208v	240v	208v	240v	208v	240v	208v	240v	208v	240v
	240v (1)	240v (1)															
NAH022	0	0	-		208-230/60/1	197/253	4.0	-	-	4.0	4.0	5.0	5.0	10	10		
	4.8	16,382	single	740			4.0	17.3	20.0	21.3	24.0	26.6	30.0	30	30		
NAH026	0	0	-				4.0	-	-	4.0	4.0	5.0	5.0	10	10		
	4.8	16,382	single	740			4.0	17.3	20.0	21.3	24.0	26.6	30.0	30	30		
NAH030	0	0	-				4.0	-	-	4.0	4.0	5.0	5.0	10	10		
	4.8	16,382	single	740			4.0	17.3	20.0	21.3	24.0	26.6	30.0	30	30		
	9.6	32,765	single	900			4.0	34.7	40.0	38.7	44.0	48.4	55.0	50	60		
NAH036	0	0	-				4.0	-	-	4.0	4.0	5.0	5.0	10	10		
	4.8	16,382	single	740			4.0	17.3	20.0	21.3	24.0	26.6	30.0	30	30		
	9.6	32,765	single	900			4.0	34.7	40.0	38.7	44.0	48.4	55.0	50	60		
NAH042	0	0	-				7.0	-	-	7.0	7.0	8.8	8.8	15	15		
	9.6	32,765	single	900			7.0	34.7	40.0	41.7	47.0	52.1	58.8	60	60		
	14.4	49,147	single	1,275			7.0	52.0	60.0	59.0	67.0	73.8	83.8	80	90		
	14.4	49,147	L1/L2 L3/L4				7.0	34.7	40.0	41.7	47.0	52.1	58.8	60	60		
NAH048	0	0	-				7.0	-	-	7.0	7.0	8.8	8.8	15	15		
	9.6	32,765	single	900			7.0	34.7	40.0	41.7	47.0	52.1	58.8	60	60		
	14.4	49,147	single	1,275			7.0	52.0	60.0	59.0	67.0	73.8	83.8	80	90		
	14.4	49,147	L1/L2 L3/L4				7.0	34.7	40.0	41.7	47.0	52.1	58.8	60	60		
NAH060	0	0	-				7.0	-	-	7.0	7.0	8.8	8.8	15	15		
	9.6	32,765	single	900			7.0	34.7	40.0	41.7	47.0	52.1	58.8	60	60		
	14.4	49,147	single	1,275			7.0	52.0	60.0	59.0	67.0	73.8	83.8	80	90		
	14.4	49,147	L1/L2 L3/L4				7.0	34.7	40.0	41.7	47.0	52.1	58.8	60	60		
	19.2	65,530	single	1,700			7.0	17.3	20.0	24.3	27.0	30.4	33.8	35	35		
	19.2	65,530	L1/L2 L3/L4				7.0	69.3	80.0	76.3	87.0	95.4	108.8	100	110		
					7.0	34.7	40.0	41.7	47.0	52.1	58.8	60	60				

(1) For 208 volt applications use .751 correction factor for KW & BTUH  
 Rated Voltage of 208/230/60/1  
 HACR circuit breaker in USA only

5/19/08

# PHYSICAL DATA

Air Handler Model Number (Refrigerant)		NAH022	NAH026	NAH030	NAH036	NAH042	NAH048	NAH060
Evaporator Coil	Air Coil Total Face Area, ft2 [m2]	5.83 [0.54]						
	Tube outside diameter - in. [mm]	3/8 [9.52]						
	Number of rows	2			3			
	Fins per inch	12						
	Suction line connection - in. [mm] sweat	5/8 [15.87]			7/8 [22.22]			
	Liquid line connection - in. [mm] sweat	3/8 [9.52]						
Refrigerant		R-410a						
Nominal cooling capacity - tons [kW]		1.8 [6.44]	2.1 [7.59]	2.5 [8.79]	3 [10.55]	3.5 [12.30]	4 [14.06]	5 [17.58]
Condensate drain connection - (FPT) in. [mm]		3/4 [19.05]						
Blower Wheel Size (Dia x W), in. [mm]		11 x 10 [279 x 254]						
Blower motor type/speeds		ECM variable speed						
Blower motor output - hp [W]		1/2 [373]			1 [746]			
Filter Standard - 1" [51mm] MERV3 disposable, in. [mm]		20 x 24 [508 x 635]						
Electrical characteristics (60hz)		208/230 - 1ph						
Shipping weight - lbs. [kg]		215 [97.52]			220 [99.79]			
Operating weight - lbs. [kg]		195 [88.45]			200 [90.71]			

1/11/08

Air Handler Model Number (Hydronic)		NAH026	NAH036	NAH048	NAH060
Hydronic Coil	Air Coil Total Face Area, ft2 [m2]	6.94 [0.64]			
	Tube outside diameter - in. [mm]	3/8 [9.52]			
	Number of rows	3			
	Fins per inch	13			
	Water In connection - in. [mm] sweat	7/8 [22.22]			
	Water Out connection - in. [mm] sweat	7/8 [22.22]			
Nominal cooling capacity - tons [kW]		2.1 [7.59]	3 [10.55]	4 [14.06]	5 [17.58]
Condensate drain connection - (FPT) in. [mm]		3/4 [19.05]			
Blower Wheel Size (Dia x W), in. [mm]		11 x 10 [279 x 254]			
Blower motor type/speeds		ECM variable speed			
Blower motor output - hp [W]		1/2 [373]	1 [746]		
Filter Standard - 1" [51mm] MERV3 disposable, in. [mm]		20 x 24 [508 x 635]			
Electrical characteristics (60hz)		208/230 - 1ph			
Shipping weight - lbs. [kg]		220 [99.79]			
Operating weight - lbs. [kg]		200 [90.71]			

3/11/08

# BLOWER PERFORMANCE

Model	Max ESP (wg)	Blower Motor (hp)	HP CFM Setting		Normal Mode Htg & Clg			Dehumidification Mode Clg				Aux CFM Setting		Aux Emerg Mode
			S1	S2	Stg 2	Stg 1	Fan	S9	Stg 2	Stg 1	Fan	S5	S6	
022	0.50	1/2	On	On	900	700	450	Off	775	600	383	On	On	1000
	0.50	1/2	<b>Off</b>	<b>On</b>	<b>800</b>	<b>625</b>	<b>400</b>	Off	680	530	340	<b>Off</b>	<b>On</b>	<b>800</b>
	0.50	1/2	On	Off	700	540	375	Off	600	450	319	On	Off	775
	0.50	1/2	Off	Off	640	480	350					Off	Off	740
026	0.50	1/2	On	On	1050	800	525	Off	850	700	425	On	On	1150
	0.50	1/2	<b>Off</b>	<b>On</b>	<b>925</b>	<b>725</b>	<b>475</b>	Off	760	620	400	<b>Off</b>	<b>On</b>	<b>950</b>
	0.50	1/2	On	Off	800	625	425	Off	670	540	350	On	Off	925
	0.50	1/2	Off	Off	740	575	400					Off	Off	825
030	0.50	1/2	On	On	1150	950	600	Off	975	775	500	On	On	1250
	0.50	1/2	<b>Off</b>	<b>On</b>	<b>980</b>	<b>780</b>	<b>500</b>	Off	825	640	400	<b>Off</b>	<b>On</b>	<b>1000</b>
	0.50	1/2	On	Off	900	700	440	Off	750	580	350	On	Off	975
	0.50	1/2	Off	Off	800	630	425					Off	Off	900
036	0.50	1/2	On	On	1300	1025	760	Off	1105	871	760	On	On	1300
	0.50	1/2	<b>Off</b>	<b>On</b>	<b>1225</b>	<b>950</b>	<b>685</b>	Off	1041	808	685	<b>Off</b>	<b>On</b>	<b>1250</b>
	0.50	1/2	On	Off	1150	850	620	Off	940	690	620	On	Off	1225
	0.50	1/2	Off	Off	1075	800	550					Off	Off	1200
042	0.75	1	On	On	1500	1100	750	Off	1250	900	625	On	On	1550
	0.75	1	<b>Off</b>	<b>On</b>	<b>1425</b>	<b>1010</b>	<b>650</b>	Off	1180	840	540	<b>Off</b>	<b>On</b>	<b>1450</b>
	0.75	1	On	Off	1300	975	635	Off	1080	800	525	On	Off	1400
	0.75	1	Off	Off	1150	850	625					Off	Off	1275
048	0.75	1	On	On	1700	1300	975	Off	1400	1080	800	On	On	1700
	0.75	1	<b>Off</b>	<b>On</b>	<b>1625</b>	<b>1240</b>	<b>875</b>	Off	1350	1025	725	<b>Off</b>	<b>On</b>	<b>1550</b>
	0.75	1	On	Off	1450	1100	750	Off	1200	900	625	On	Off	1525
	0.75	1	Off	Off	1300	1000	675					Off	Off	1400
060	0.75	1	On	On	1850	1750	1175	Off	1540	1450	975	On	On	1850
	0.75	1	<b>Off</b>	<b>On</b>	<b>1760</b>	<b>1625</b>	<b>1050</b>	Off	1460	1350	875	<b>Off</b>	<b>On</b>	<b>1760</b>
	0.75	1	On	Off	1720	1575	1015	Off	1425	1300	840	On	Off	1725
	0.75	1	Off	Off	1680	1525	975					Off	Off	1700

Factory CFM settings are in boldface

2/12/08

CFM is controlled within 5% up to the maximum ESP

Maximum ESP includes allowance for wet coil and standard filter

"O" on the ECM interface board must be energized in cooling mode.

DIP switch 9 must be 'OFF' to select dehumidification mode.

